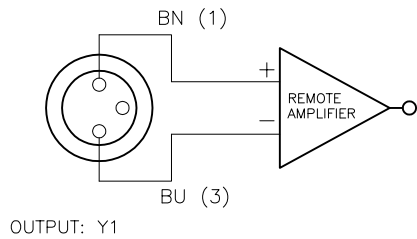
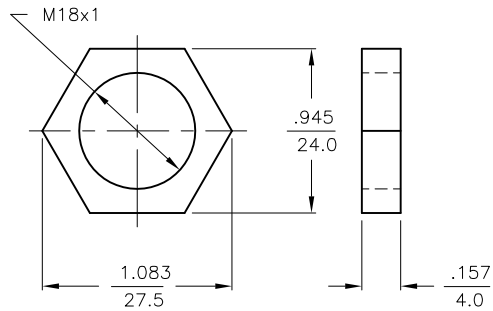


WIRING DIAGRAM

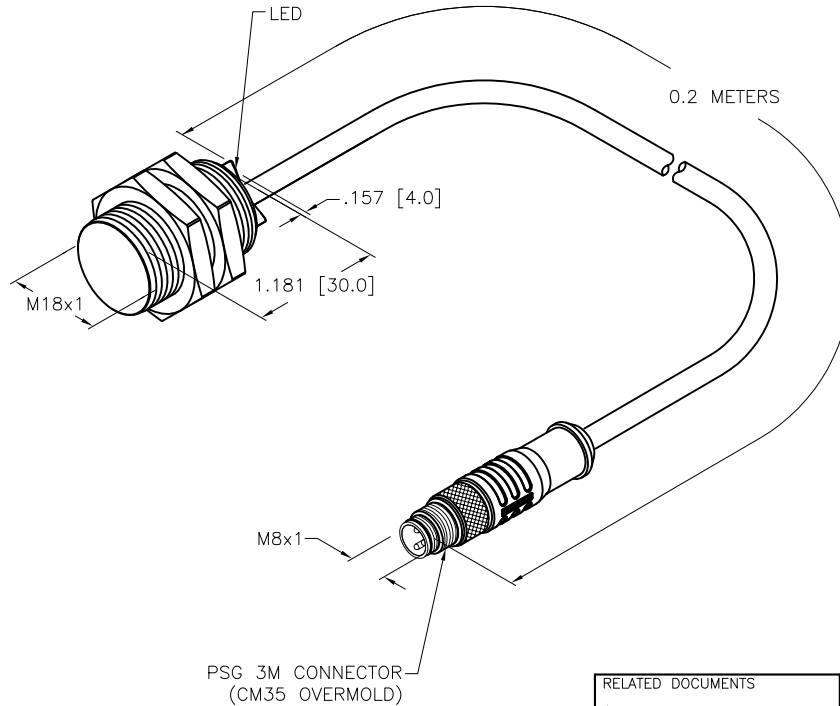


LOCKNUT LN-M18



SPECIFICATIONS

| | |
|----------------------------------|------------------------------------|
| RATED OPERATING DISTANCE | 5mm [.197"] |
| MOUNTING MODE | FLUSH |
| HYSTERESIS | 1-10% |
| MIN. REPEAT ACCURACY | ≤ 2% |
| TEMPERATURE DRIFT | ≤ ± 10% |
| OPERATING TEMPERATURE | -25°C to +70°C (-13°F to +158°F) |
| OUTPUT FUNCTION | 2-WIRE, NAMUR |
| MAX. SWITCHING FREQUENCY | ≤ 0.5 kHz |
| RATED OPERATIONAL VOLTAGE | 8.2 VDC NOMINAL |
| NON-ACTUATED CURRENT CONSUMPTION | ≥ 2.1 mA |
| ACTUATED CURRENT CONSUMPTION | ≤ 1.2 mA |
| ENCLOSURE | MEETS NEMA 1,3,4,6,13 AND IEC IP67 |
| HOUSING MATERIAL | METAL, BRASS/CHROME-PLATED |
| ACTIVE FACE MATERIAL | PLASTIC, PA12-GF30 |
| END CAP MATERIAL | PLASTIC, TROGAMID T |
| CABLE | ø5.2, PVC, BLUE |
| VIBRATION RESISTANCE | 55 Hz (IN ALL 3 PLANES) |
| SHOCK RESISTANCE | 30 g, 11 ms |
| DEGREE OF PROTECTION | IP 67 |
| SWITCHING STATUS INDICATION | LED: YELLOW |



SOURCE DRAWING - FOR REFERENCE ONLY

| | | | | | |
|---|---|--|---------------|--|--|
| RELATED DOCUMENTS 1. 2. 3. 4. | 3RD ANGLE PROJECTION | THIS DRAWING IS CONFIDENTIAL AND THE PROPERTY OF TURCK INC. USE OF THIS DOCUMENT WITHOUT WRITTEN PERMISSION IS PROHIBITED. | | 3000 CAMPUS DRIVE MINNEAPOLIS, MN 55441 1-800-544-7769 (763) 553-7300 (763) 553-0708 fax www.turck.us | |
| | MATERIAL | DRFT RDS | DATE 12/08/10 | DESCRIPTION BI5-G18-Y0X-0.2M-PSG3M | |
| FINISH | ALL DIMENSIONS DISPLAYED ON THIS DRAWING ARE FOR REFERENCE ONLY | APVD | SCALE 1=1.3 | IDENTIFICATION NO. 40150870 | |
| | CONTACT TURCK FOR MORE INFORMATION | UNIT OF MEASUREMENT INCH [MILLIMETER] | | REV E | |
| E | UPDATE ID NUMBER PER HARMONIZATION PROJECT | DO NOT SCALE THIS DRAWING | | FILE: 40150870 | |
| REV | DESCRIPTION | | | SHEET 1 OF 1 | |

| | | | | |
|-----|--|-----|----------|---------|
| E | UPDATE ID NUMBER PER HARMONIZATION PROJECT | CBM | 11/06/17 | |
| REV | DESCRIPTION | BY | DATE | ECO NO. |